



Tildawn Replacement Lamp

Supports damage elimination caused by Points Run Through



- For use in accordance with Network Rail Code of Practice COP0036
- Robust, reliable and energy efficient LED technology
- Based on the highly successful TrafILITE road lamp

Damage to points caused by On Track Plant and Road Rail Vehicles is expensive in terms of repair costs and potential network service delays. The damage is primarily caused when rail wheels hit the point ends and distort them or when the plant derails and bends the switches.

The Unipart Dorman Tildawn Replacement Lamp is used as part of the TDL process detailed in Appendix A of COP 0036 – Network Rail's Code of Practice for the Management of Points within Engineering Worksites which is designed to eliminate damage caused by Points Run Through occurrences.

- Conforms to BS EN 12352 which supersedes BS 3143
- Based on Unipart Dorman road danger lamp LED technology with over 2 million units sold
- Impact resistant polycarbonate lens and polypropylene body
- Weatherproof push button switch
- Metal Carry Handle
- Available in Flashing or Steady Burn versions
- Other lens colours are available, please contact Unipart Dorman
- Manufactured in Britain gives supply chain confidence

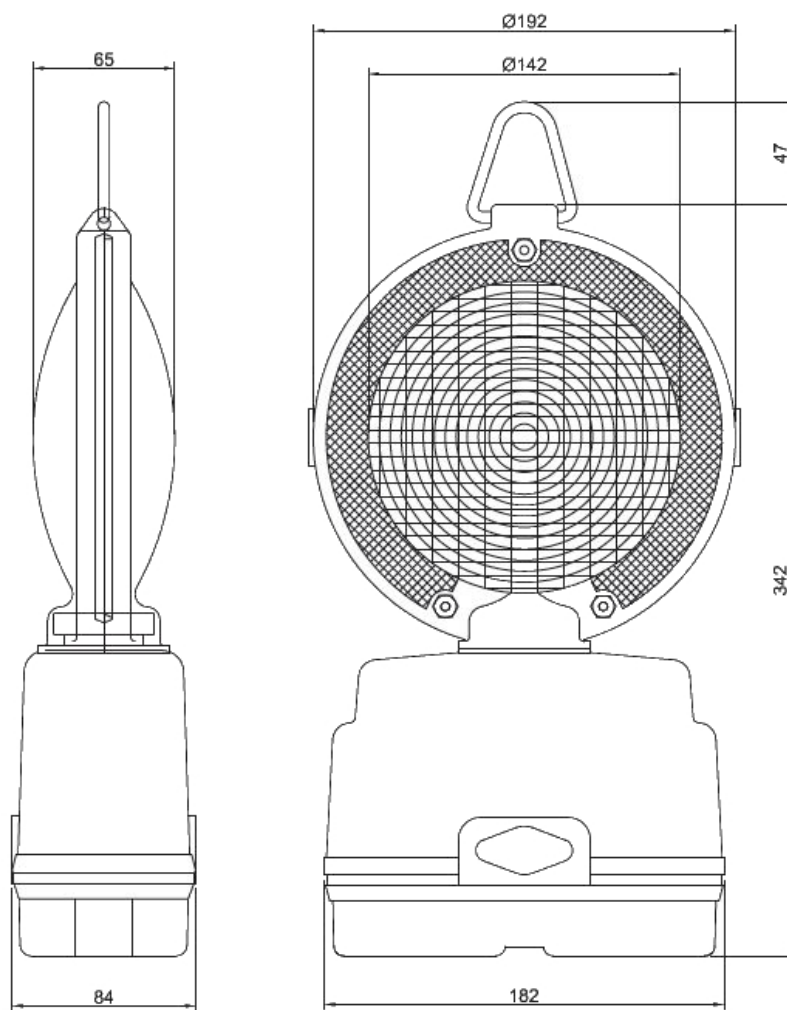
Ordering

Item	PADS/Cat No.	Unipart Dorman Part No.
Tildawn Replacement Lamp (Flashing)	0054/040644	TLL6N/RR/P/H/AA
Tildawn Replacement Lamp (Steady burn)	0054/040649	TLL2N/RR/P/H/AA
Air Alkaline Battery	0054/128366	B13.12170

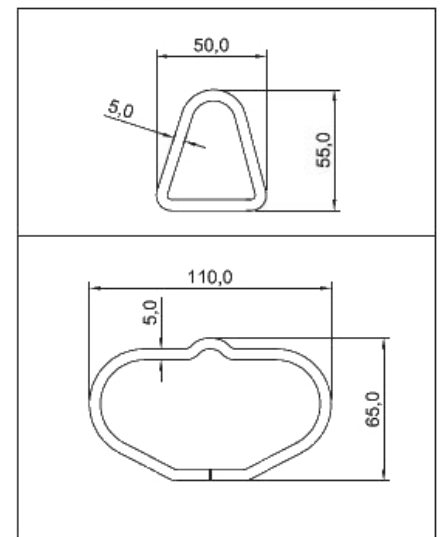
Battery Life using the DAAB 50 Battery from Unipart Dorman:

- Flashing 7200 hours
- Steady 5600 hours

Product Dimensions



CARRY HANDLE OPTIONS



Weight without batteries 0.7Kg

About Unipart

The Unipart Group is a leading UK manufacturer, full service logistics provider and consultant in operational excellence. Operating across a range of market sectors, including automotive, manufacturing, mobile telecoms, rail, retail and technology, Unipart offers a breadth of services to a wide range of blue chip clients internationally.

Unipart Dorman

Wennington Road, Southport,
Merseyside, PR9 7TN

Tel: +44 (0) 1704 518000

Fax: +44 (0) 1704 518001

email: dorman.enquiries@unipartdorman.co.uk

www.unipartdorman.co.uk



Our products are distributed through Unipart Rail
Visit www.unipartrail.com for details