



Modular Lightweight Signal Base

Housing all the components required for the operation and control of a signal



As part of the drive to reduce re-signalling costs, Unipart Dorman in collaboration with Alstom (formerly SSL) developed the Modular Lightweight Signal Base (MLS) which in addition to housing the signal and post contains all of the components required for the operation and control of the signal, as well as any additional TPWS, AWS, Transformers and Relays. This allows project and scheme designers to dispense with Location Cases and their associated infrastructure and reduce installation time, therefore making significant savings.

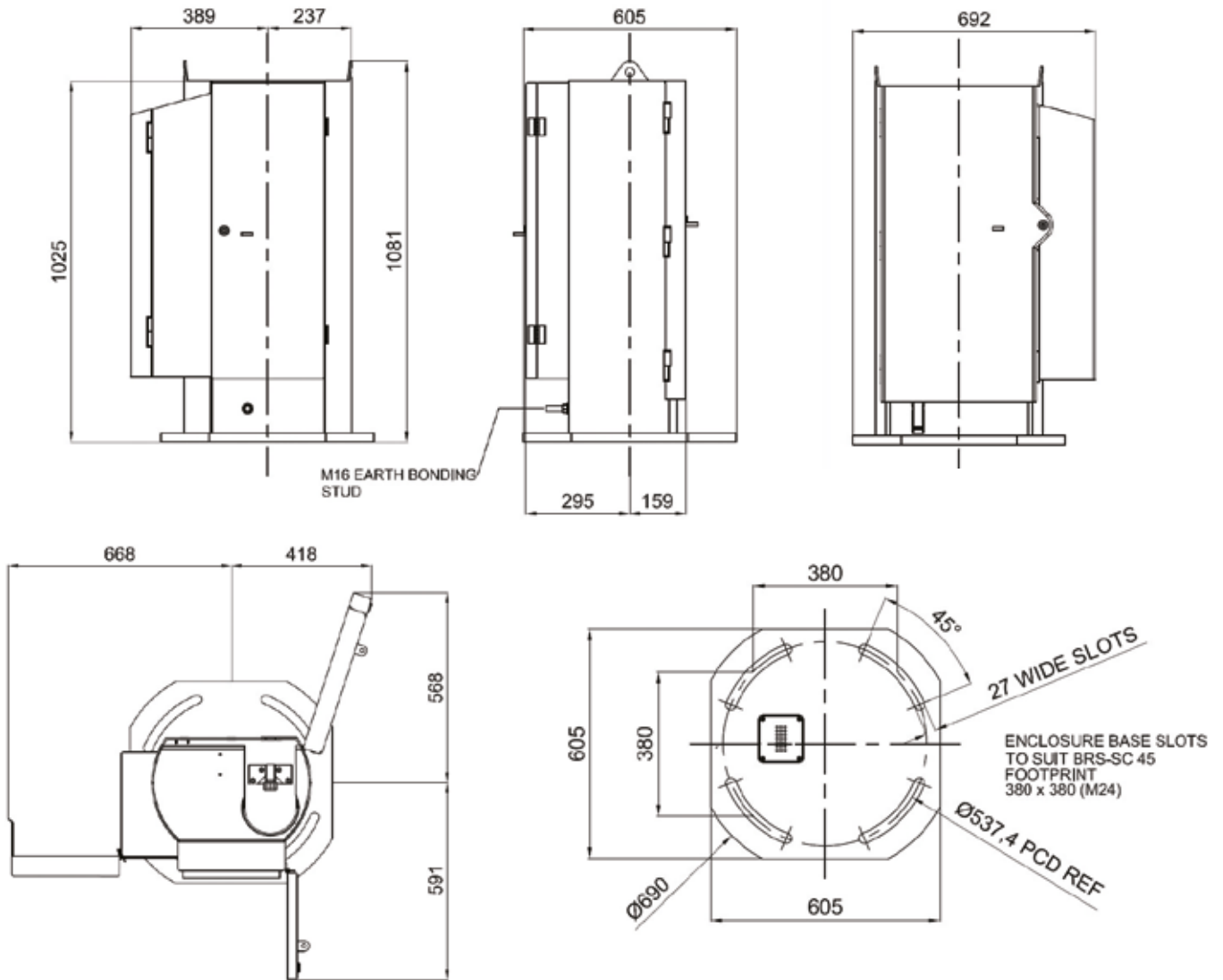
Features & Benefits

- Quick and cost effective method of bringing secondary lines and areas up to modern signalling standards
- MLS are pretested at the factory, which allows a signal and base to be installed and commissioned onto a pre-prepared foundation in less than 30 minutes
- All signal sighting is done from ground level using the Unipart Dorman Sighting Scope, which is standard across the whole lightweight signalling range. This allows the bases to be pre-installed, tested and signal sighting to be completed weeks in advance of the signal head installation, allowing greater flexibility for project planners
- Using MLS means less cable is required for projects and therefore reduces cost



Visit our website www.unipartdorman.co.uk/lightweight-signalling.html to read more about Lightweight Signalling & watch a short video clip that explains how it all works.

Product Drawings



Technical Data

Weight	50-75 Kg depending on equipment fit (Lifting Eyes Provided)
Mechanical Mounting Detail	200mm min height studs to BRS-SC 45
Security	Standard Padlock 2 Off
Product Approval Certificate Number	PA05/04240
Earth Bonding	Via dedicated M16 Stud

About Unipart

The Unipart Group is a leading UK manufacturer, full service logistics provider and consultant in operational excellence. Operating across a range of market sectors, including automotive, manufacturing, mobile telecoms, rail, retail and technology, Unipart offers a breadth of services to a wide range of blue chip clients internationally.

Unipart Dorman

Wennington Road, Southport,
Merseyside, PR9 7TN

Tel: +44 (0) 1704 518000

Fax: +44 (0) 1704 518001

email: dorman.enquiries@unipartdorman.co.uk

www.unipartdorman.co.uk



Our products are distributed through Unipart Rail
Visit www.unipartrail.com for details