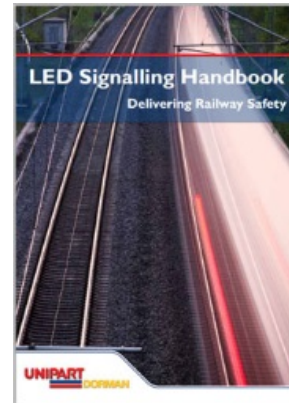


# Level Crossing



The Level Crossing Range is just part of the wider portfolio of Unipart Dorman products which cover every part of the railway.



The LED Handbook contains full details of all the rail products. Contact us to receive your copy, or visit [uniparttrail.com/ledhandbook](http://uniparttrail.com/ledhandbook) for the PDF version

## Unipart Dorman's LED Signaling Range:

With over 25 years of experience in LED Rail Signaling, Unipart Dorman has a complete range of Network Rail approved LED signals that are backwards compatible with the existing systems on the UK infrastructure.

This comprehensive range covers nearly 500 approved items to date and Unipart Dorman has in excess of 60,000 signals now installed across the network. Where Unipart Dorman LED signals have been installed, failures and delays associated with the signal heads have been virtually eliminated.

### Unipart Dorman, Design & Manufacturing Capabilities:

Unipart Dorman's engineering heritage goes back over 130 years. The innovation and design-led business philosophy revolves around listening closely to customers and ensuring product development is always focused on their requirements. Unipart Dorman is a leading light in rail with extensive product ranges available throughout the UK and in more than 30 countries across five continents.

Unipart Dorman has been at the forefront of LED technology since the 1980's. LED lighting offers unrivalled safety and economic benefits when compared to filament bulbs and the company's technological leadership has resulted in several industry 'firsts', including ConeLITE, the industry-standard warning lamp for road hazards, and the Unipart Dorman Position Light Signal, introduced in 2000 and the first LED signal which controlled train movement to be fully approved by Network Rail to Group Standards.

*Unipart Dorman product and specifications subject to change and/or modification without prior notice.*

### Contact Details:

**Unipart Dorman's range is distributed through Unipart Rail:**

Unipart Rail  
Gresty Road  
Crewe  
Cheshire  
CW2 6EH

Tel: +44 (0)1270 847600

E-Mail:  
[dorman.info@unipartdorman.co.uk](mailto:dorman.info@unipartdorman.co.uk)

[www.unipartdorman.co.uk](http://www.unipartdorman.co.uk)



# LED Miniature Stop Light



**The Unipart Dorman LED Miniature Stop Lights are fully Network Rail approved.**

- Directly interchangeable with existing filament units
- No design changes at site required
- Fits directly onto existing post
- Not affected by variations in supply voltage
- Supply Voltage 110Vac/120Vdc
- LED technology gives long predictable service life
- Improved visibility
- LED light source provides increased safety and reliability
- Significantly reduced maintenance costs
- Bilingual English/Welsh versions available



# LED Miniature Stop Light

## Product Details

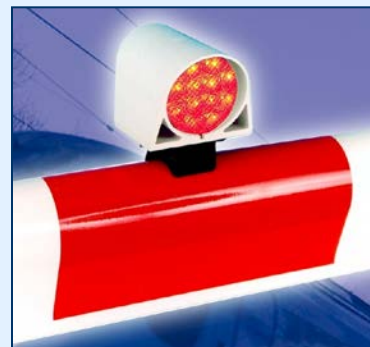
### Benefits

- Eliminates lens burn
- No design changes at site required
- Increased safety and reliability
- Dual language units available to customers specification
- Directly interchangeable with existing filament units



The Miniature Stop Light is just one of our range of Level Crossing products from Unipart Rail and Unipart Dorman. Other products in our Level Crossing Range are:

LED Barrier Boom



Driver's Crossing Indicator



WigWags



Blocking Back Sign



### Key Specifications

- Operating Temperature Range: -25°C to +40°C
- Nominal Operating Voltage: 110Vdc/120Vdc
- Operating Voltage Range: Max 121Vac Min 88Vac  
Max 145Vdc Min 88Vdc
- Nominal Operating Current: 300mA @ 110Vac per light source
- Current Proving: Relay based interlocking or SSI

### Mounting Arrangements

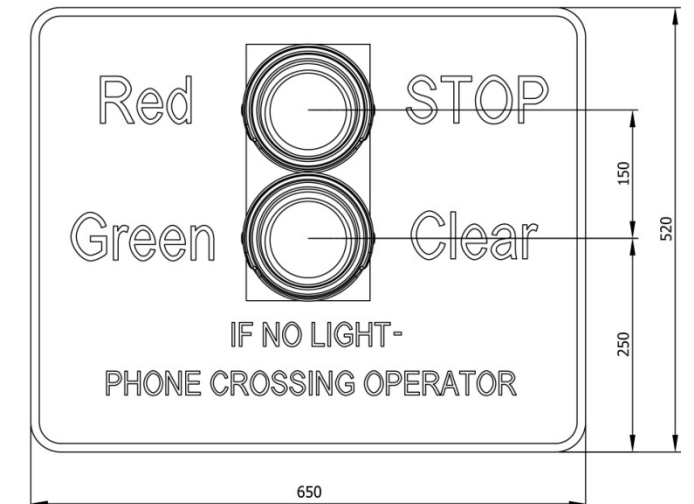
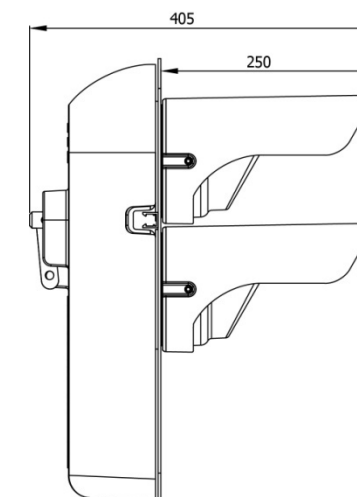
Mounts directly to a 60.3mm diameter post as seen in drawing BRS-SM91.

### Modular

Each signal module is a self-contained IP65 sealed unit and the housing is a IP54 sealed unit.

### Compliances

The Miniature Stop Light is Network Rail approved and compliant with RT/E/S10110.



### Network Rail Product Acceptance No:

PA05/02619 LED Miniature Stop Light (Red and Green Crossing Lights)  
PA05/03665 Anti Vandal Guard

0088/026985

### PADS No:

Miniature Stop Light Head, 2 Aspect, (Phone Crossing Operator)  
Miniature Stop Light Head, 2 Aspect, Bi-lingual English/Welsh (Phone Crossing Operator)  
Miniature Stop Light Head, 2 Aspect, (Proceed With Caution)  
Miniature Stop Light Head, 2 Aspect, Bi-lingual English/Welsh. (Proceed With Caution)  
LED Signal Lamp Module, Red, Proved, Ground, with Visor  
LED Signal Lamp Module, Green, Proved, Ground, with Visor  
Anti Vandal Guard (Unipart Dorman Part Number)

0086/009260  
0086/009263  
0086/009261  
0086/009264  
0086/001294  
0086/001299  
D81.80130