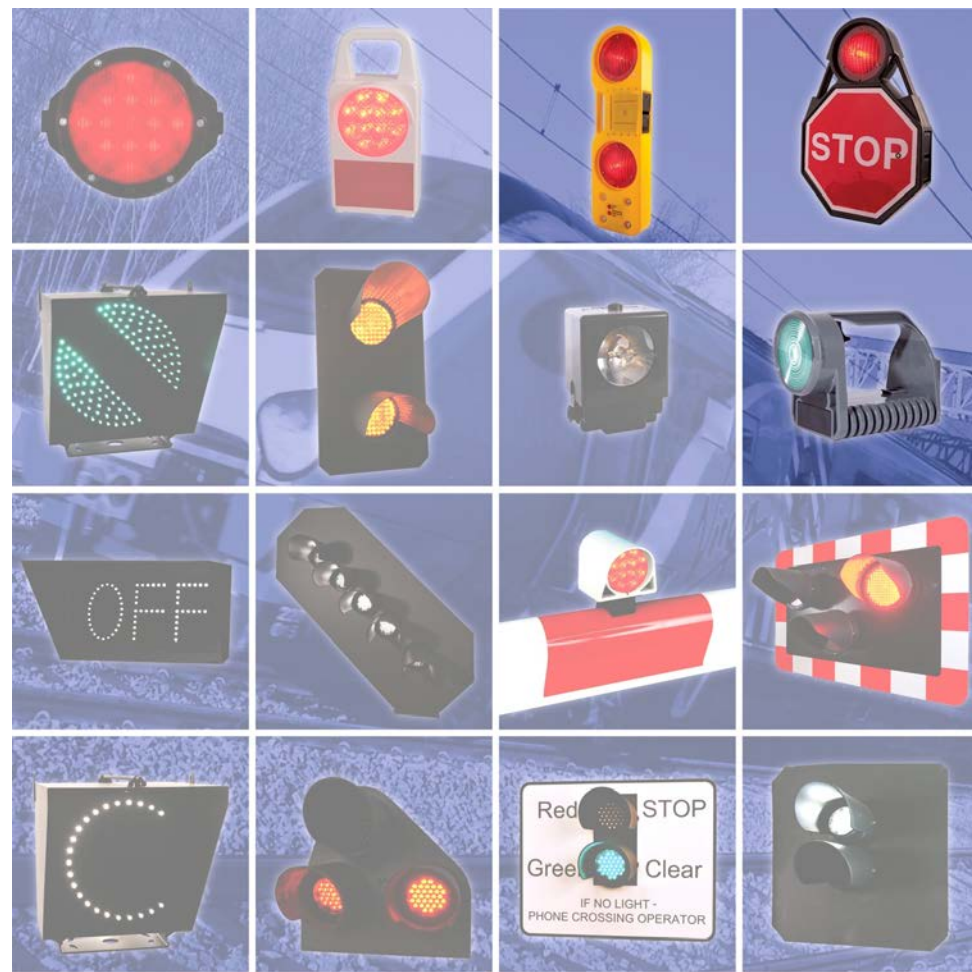


## Personal Safety



### Unipart Dorman's LED Signaling Range:

With over 25 years of experience in LED Rail Signaling, Unipart Dorman has a complete range of Network Rail approved LED signals that are backwards compatible with the existing systems on the UK infrastructure.

This comprehensive range covers nearly 500 approved items to date and Unipart Dorman has in excess of 60,000 signals now installed across the network. Where Unipart Dorman LED signals have been installed, failures and delays associated with the signal heads have been virtually eliminated.

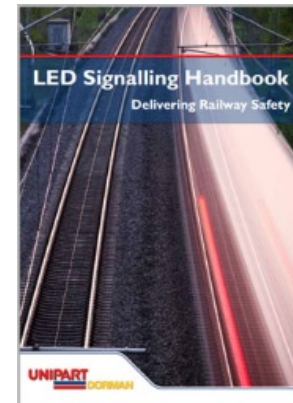
### Unipart Dorman, Design & Manufacturing Capabilities:

Unipart Dorman's engineering heritage goes back over 130 years. The innovation and design-led business philosophy revolves around listening closely to customers and ensuring product development is always focused on their requirements. Unipart Dorman is a leading light in rail with extensive product ranges available throughout the UK and in more than 30 countries across five continents.

Unipart Dorman has been at the forefront of LED technology since the 1980's. LED lighting offers unrivalled safety and economic benefits when compared to filament bulbs and the company's technological leadership has resulted in several industry 'firsts', including ConeLITE, the industry-standard warning lamp for road hazards, and the Unipart Dorman Position Light Signal, introduced in 2000 and the first LED signal which controlled train movement fully approved by Network Rail to Railway Group Standards.

*Unipart Dorman product and specifications subject to change and/or modification without prior notice.*

The Personal Safety Range is just part of the wider portfolio of Unipart Dorman products which cover every part of the railway.



The LED Handbook contains full details of all the rail products. Contact us to receive your copy, or visit [uniparttrail.com/ledhandbook](http://uniparttrail.com/ledhandbook) for the PDF version

### Contact Details:

**Unipart Dorman's range is distributed through Unipart Rail:**

Unipart Rail  
Gresty Road  
Crewe  
Cheshire  
CW2 6EH  
UK

Tel: +44 (0)1270 847600  
E-Mail:

[dorman.info@unipartdorman.co.uk](mailto:dorman.info@unipartdorman.co.uk)

[www.unipartdorman.co.uk](http://www.unipartdorman.co.uk)

## LED MKII Marker Board and LED Possession Limit Board



**The Unipart Dorman LED MKII Marker Board and the LED Possession Limit Board are fully Network Rail approved.**

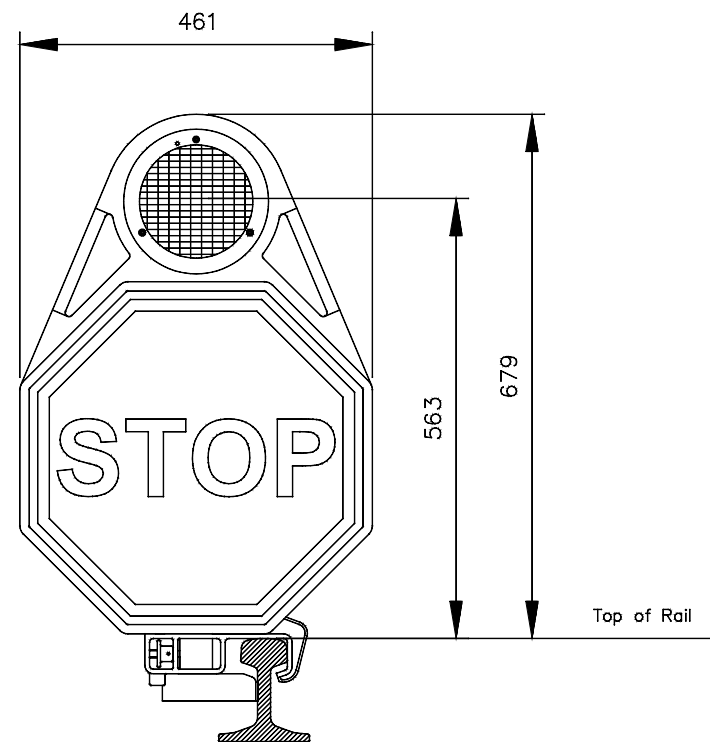
- High intensity bi-directional LED illumination
- Lightweight portable designs with integral carry handles
- Integral rail mounting devices made from impact resistant polycarbonate
- A low battery LED indicator
- Supplied with two 50Ahr Air Alkaline batteries
- Battery box secured with thief proof bolts
- Stainless steel battery connections
- Quick and easy to install

# LED Possession Limit Board

## Product Details

### Product Features

- Incorporates high intensity red flashing LEDs on both sides
- The retro-reflective red stop decal on each side is recessed into the sign to protect it's surface
- The LED low battery indicator is a separate LED that goes from flash to steady when the batteries need replacing
- The battery box is secured with thief proof bolts



### Compliance

The LED Possession Limit Board complies to three Network Rail Group Standards:

- GI/RT 7033

### Battery Life

The battery life of the LED Possession Limit Board is approximately 2200 hours.

### Network Rail Acceptance No:

PA05/308

### PADS No:

LED Possession Limit Board  
50 Ahr Alkaline Battery (12 per box)

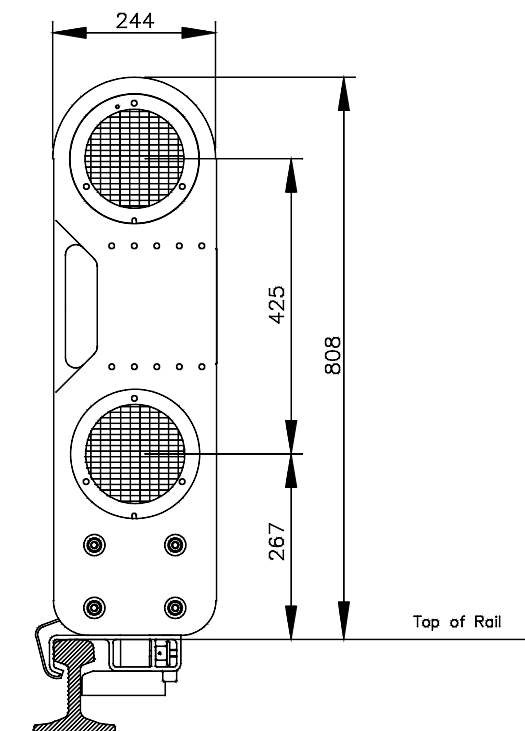
0057/072990  
0054/128366

# LED MK II Marker Board

## Product Details

### Product Features

- Uses high intensity flashing LEDs that are yellow on one side and red on the other side
- The battery box is secured with thief proof bolts and the battery connections are made of stainless steel for corrosion resistance
- The LED low battery indicator, is a separate LED that goes from flash to steady when the batteries need replacing



### Construction

The unit is constructed of High Density Polyethylene to make it very robust and lightweight.

### Battery Life

The battery life of the LED MK II Marker Board is approximately 1100 hours.

### Network Rail Acceptance No:

PA05/292

### PADS No:

LED MK II Marker Board  
50 Ahr Alkaline Battery (12 per box)

0020/039502  
0054/128366