



# LED Drivers Crossing Indicator

A visual indicator for drivers on the approach to a level crossing



Unipart Dorman LED Drivers Crossing Indicators are fully Network Rail approved

- Increased safety and reliability
- Reduced maintenance costs
- Directly interchangeable with existing units
- Fits directly onto existing post
- LED light sources give a long service life
- Improved visibility, readable at 800m
- 24Vdc supply
- Red aspect incorporates its own flash controller
- White aspect to be flashed from external flash unit

Network Rail Product Acceptance No:  
PA05/2620

LED Driver's Crossing Indicator

PADS No:

LED Driver's Crossing Indicator & Bracket 0088/028781

Blanking plate for existing mount assembly 0088/028782

Steel Mesh Anti-Vandal Guard 0088/026985

600mm C-Shaped Visor 0086/017722 (*requires signal sighting committee approval*)

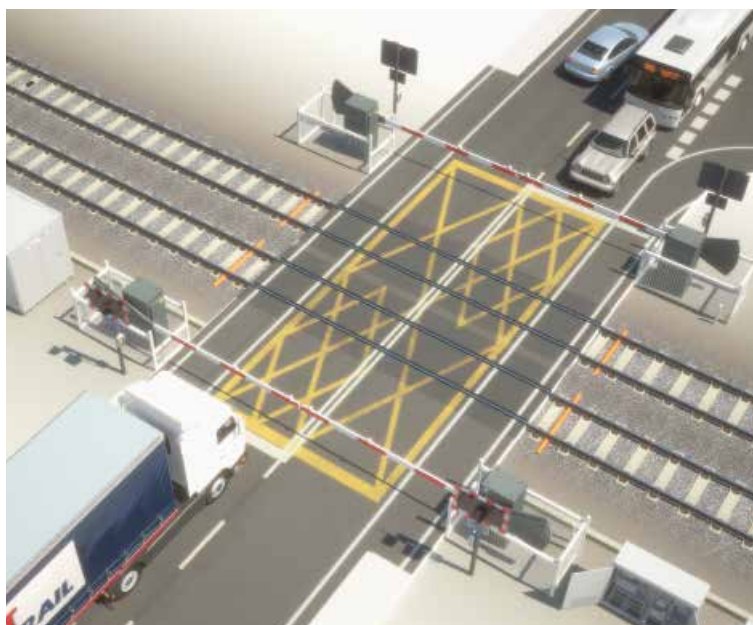
## Level Crossing Range

The Driver's Crossing Indicator is just one of our range of Level Crossing products from Unipart Rail and Unipart Dorman.

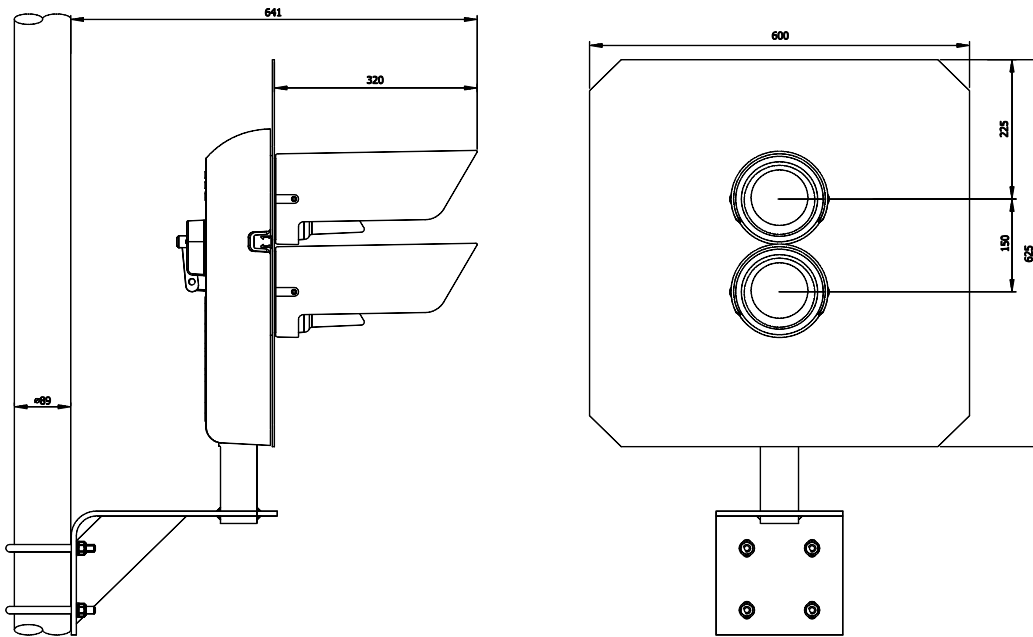
Unipart Rail offer a complete "Level Crossing in a Box" solution:

Installing and commissioning level crossings is a complex and time-consuming process. Even before the installation team arrives on site, the materials sourcing and logistics planning is onerous & adds a lot of cost to the projects.

Our Modular Level Crossing Island Service delivers all your crossing material requirement, pre-tested and plug-coupled, to your site, where & when you need it.



## Product Drawings



### Aspect configuration

The red aspect has an internal flashing function inside the LED module delivering 120 Flashes per Minute. The second aspect is a steady white LED module; however it can be flashed by an external unit.

### Mounting Arrangements

Each signal comes complete with an interface bracket to enable secure mounting.

### Weight

These weights are all maximums:

Driver's Crossing Indicator Assembly	17kg
Interface Bracket Only	10kg
Total Weight	27kg

## Technical Data

Operating Temperature Range:	-25°C to +40 °C
Nominal Operating Voltage:	24Vdc
Operating Voltage Range:	Max 31.2Vdc Min 18.0Vdc
Nominal Operating Current Source:	Red 0.15A @ 24Vdc, White 1.9A @24Vdc
Average Current:	Red 40 mA, White 1A at 60FPM

## About Unipart

The Unipart Group is a leading UK manufacturer, full service logistics provider and consultant in operational excellence. Operating across a range of market sectors, including automotive, manufacturing, mobile telecoms, rail, retail and technology, Unipart offers a breadth of services to a wide range of blue chip clients internationally.

### Unipart Dorman

Wennington Road, Southport,  
Merseyside, PR9 7TN

Tel: +44 (0) 1704 518000

Fax: +44 (0) 1704 518001

email: [dorman.enquiries@unipartdorman.co.uk](mailto:dorman.enquiries@unipartdorman.co.uk)

[www.unipartdorman.co.uk](http://www.unipartdorman.co.uk)



Our products are distributed through Unipart Rail  
Visit [www.unipartrail.com](http://www.unipartrail.com) for details